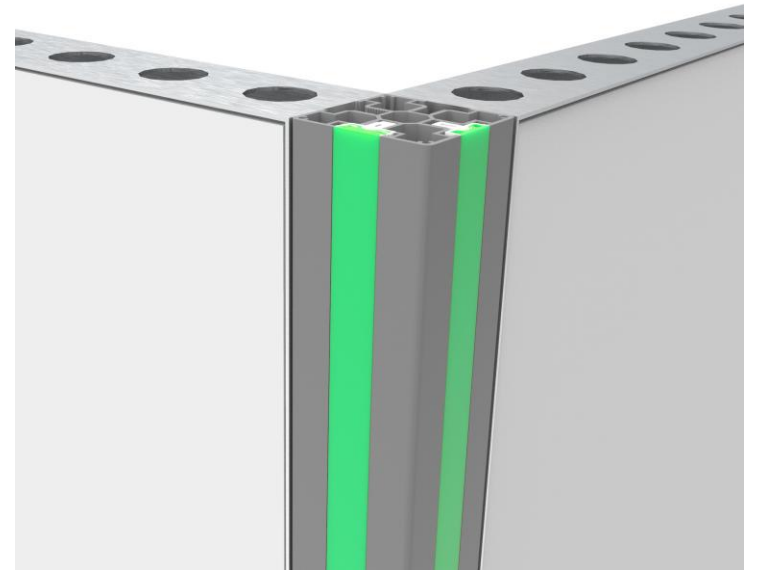


How to ...

# Install & use the LightLine solutions

300 01 ++++ & 300 02 ++++



# Table of contents

|              |   |
|--------------|---|
| <b>3-7</b>   | <b>Available solutions</b>                |
| <b>8</b>     | <b>Additional parts</b>                   |
| <b>9-12</b>  | <b>How to mount the profile LightLine</b> |
| <b>13</b>    | <b>How to mount the cover LightLine</b>   |
| <b>14</b>    | <b>End wall solutions</b>                 |
| <b>15</b>    | <b>Bending direction</b>                  |
| <b>16</b>    | <b>How to make custom lengths</b>         |
| <b>17</b>    | <b>Electrical specifications</b>          |
| <b>18-20</b> | <b>How to use the controller</b>          |
| <b>21-25</b> | <b>Electrical circuit</b>                 |
| <b>26</b>    | <b>Target audience</b>                    |

# Available solutions

## 300 01 ++++

◆ PROFILE LIGHTLINE [++++MM]



◆ Available lengths:

- ◆ 0992 mm
- ◆ 1984 mm
- ◆ 2418 mm
- ◆ 2480 mm
- ◆ 2976 mm
- ◆ 4960 mm

## 300 02 ++++

◆ COVER LIGHTLINE [++++MM]



◆ Available lengths:

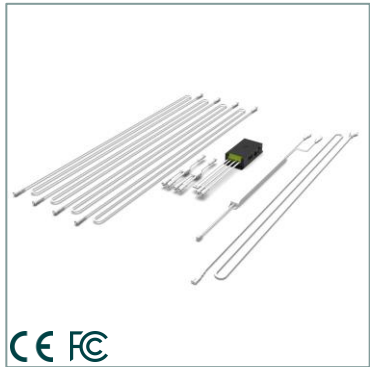
- ◆ 0992 mm
- ◆ 1984 mm
- ◆ 2418 mm
- ◆ 2480 mm
- ◆ 2976 mm

# Available solutions



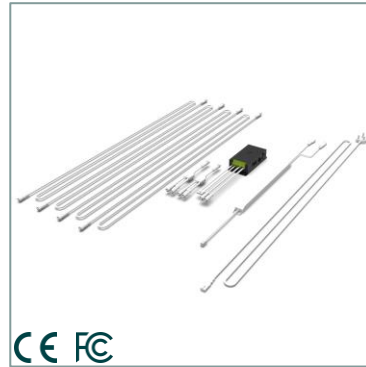
## 300 03 00 SET EU

◆ LIGHTLINE ADD-ON SET EU



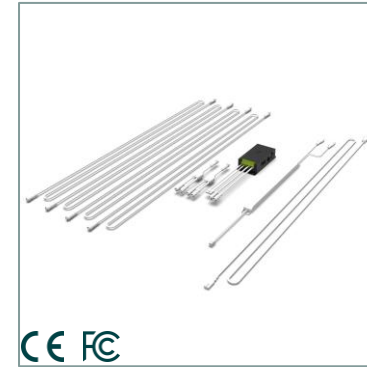
## 300 03 00 SET UK

◆ LIGHTLINE ADD-ON SET UK



## 300 03 00 SET US

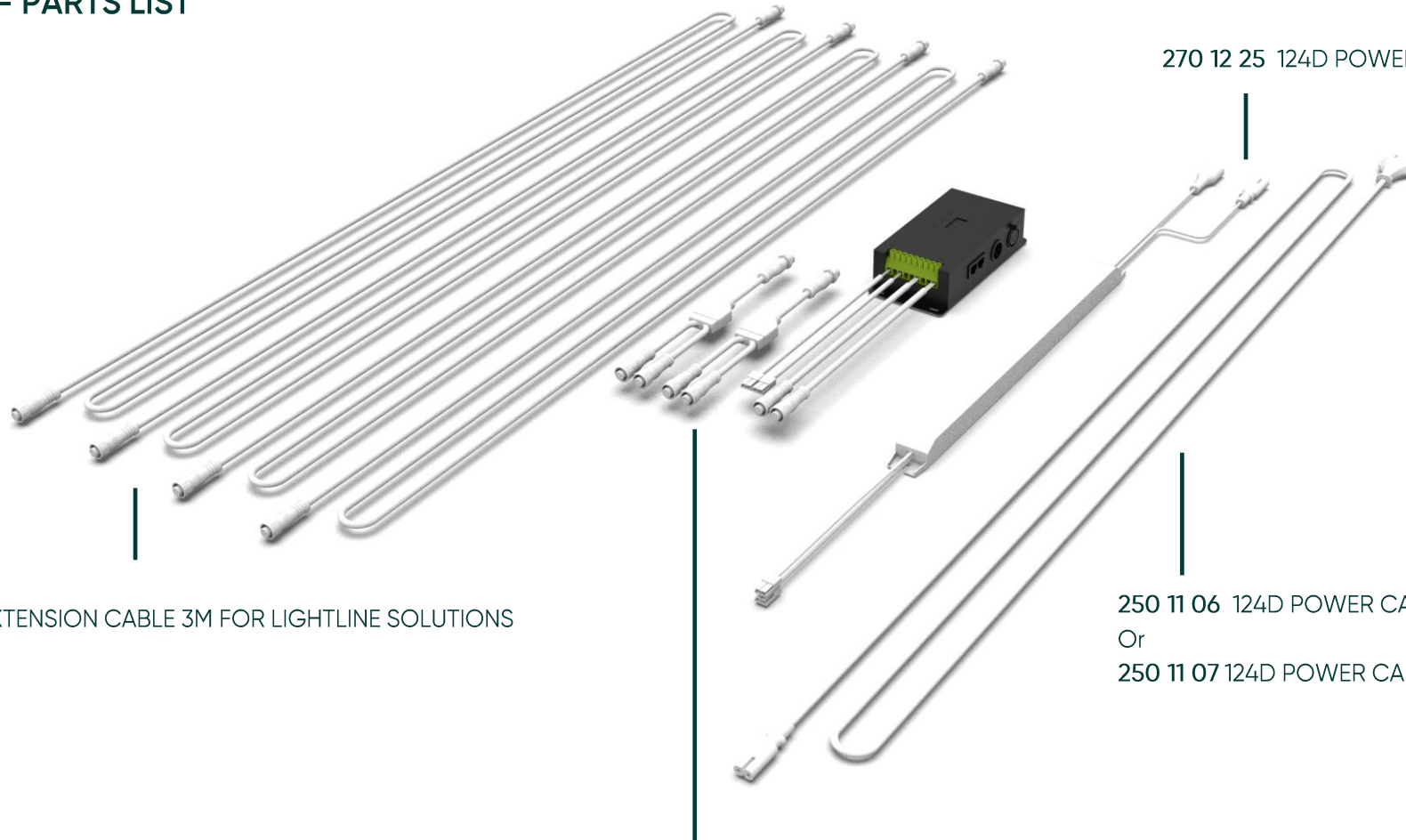
◆ LIGHTLINE ADD-ON SET USA



# Available solutions



## 300 03 00 SET EU/UK – PARTS LIST



4X 300 03 05 ADD ON EXTENSION CABLE 3M FOR LIGHTLINE SOLUTIONS

270 12 25 124D POWERLED POWER SUPPLY 250W

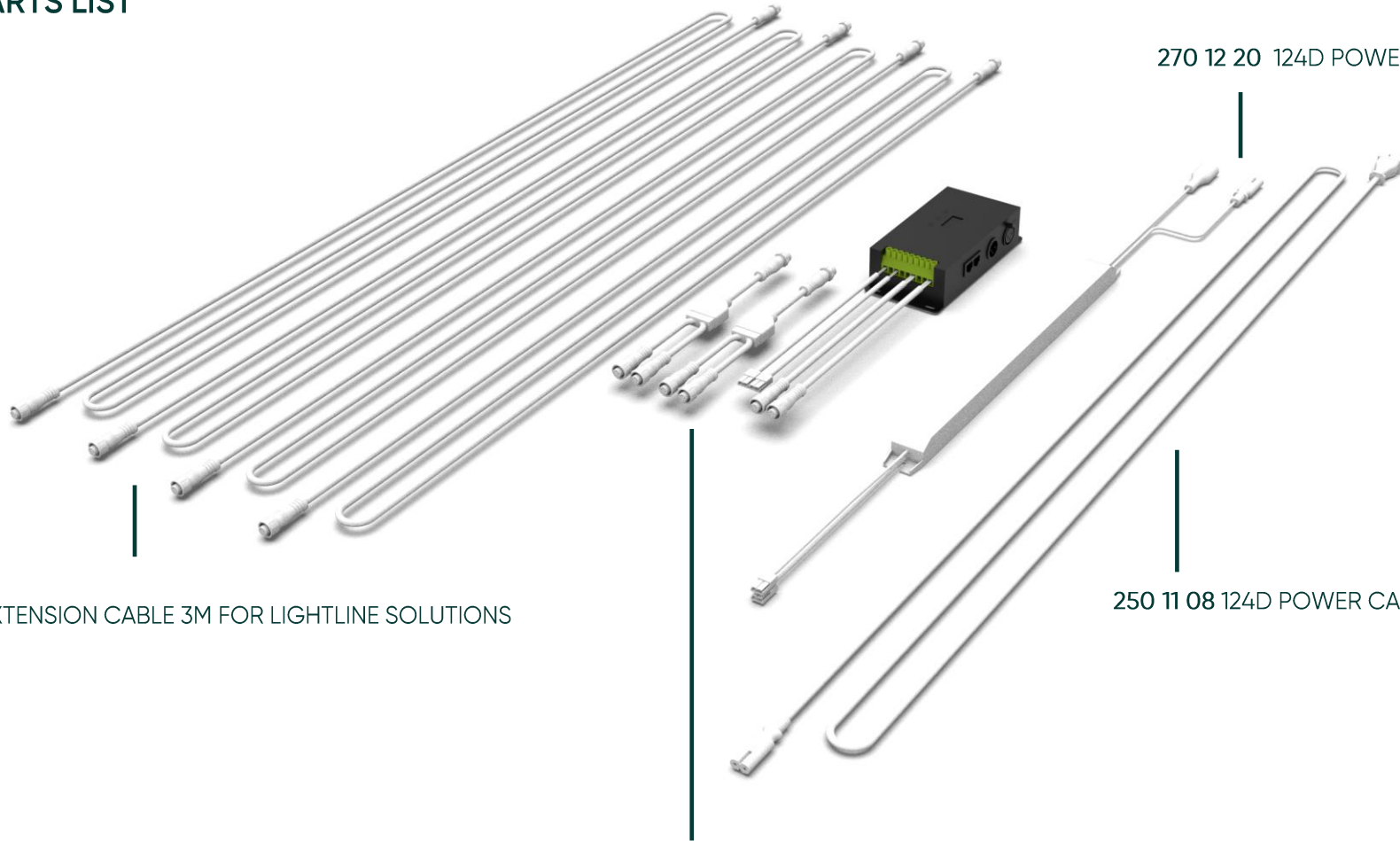
250 11 06 124D POWER CABLE [3M] EU  
Or  
250 11 07 124D POWER CABLE [3M] UK

300 03 04 SET CONTROLLER D5 + CABLES

# Available solutions



## 300 03 00 SET US – PARTS LIST



4X 300 03 05 ADD ON EXTENSION CABLE 3M FOR LIGHTLINE SOLUTIONS

270 12 20 124D POWERLED POWER SUPPLY 200W USA

250 11 08 124D POWER CABLE [3M] US

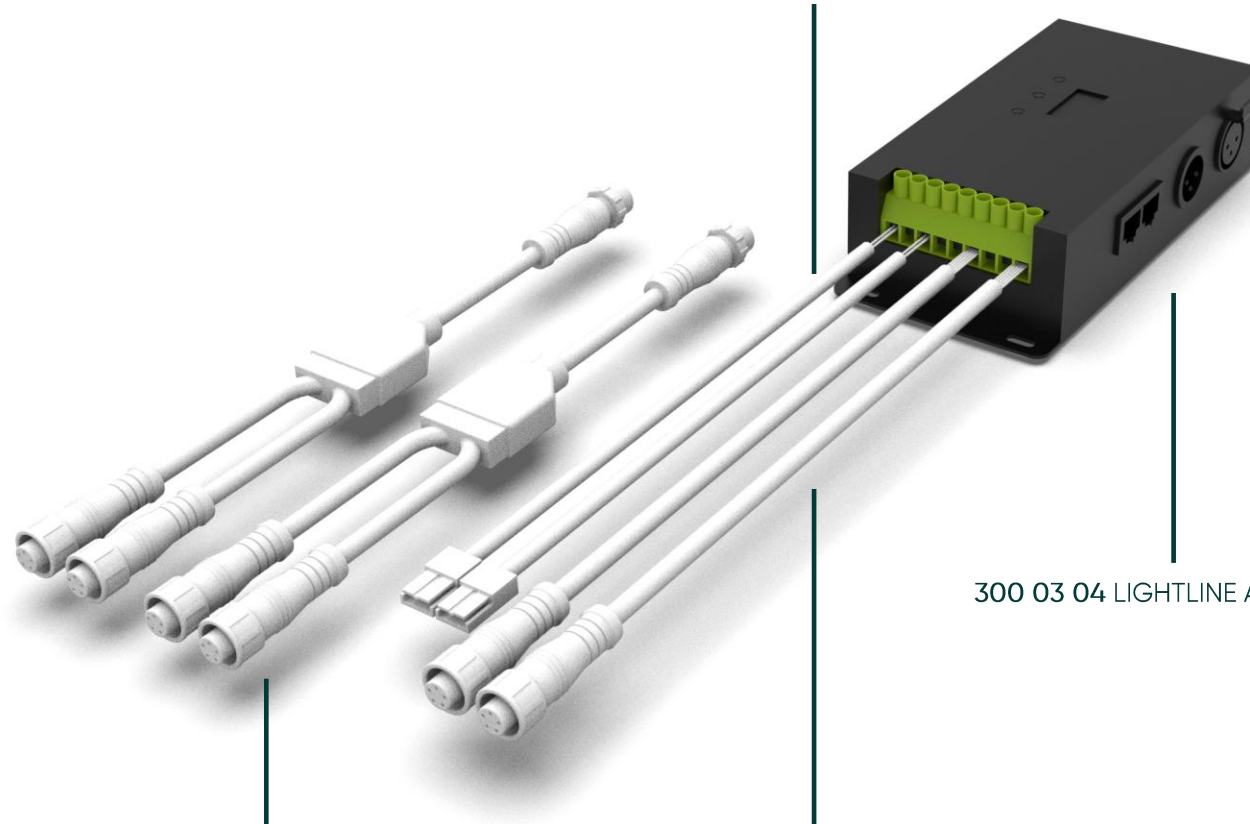
300 03 04 SET CONTROLLER D5 + CABLES

# Available solutions



## 300 03 04 SET – PARTS LIST

2x 300 03 07 LIGHTLINE ADD-ON: CABLE CONTROLLER TO POWER SUPPLY [200MM]



300 03 04 LIGHTLINE ADD-ON: CONTROLLER D5

2X 300 03 08 LIGHTLINE ADD-ON: POWER SPLITTER

2X 300 03 06 LIGHTLINE ADD-ON: FEMALE CABLE [200MM]

# Additional parts

**300 03 01**

- ◆ LIGHTLINE ADD-ON: RUBBER PROFILE FOR BECONSTRUCT [2480MM]



**300 03 03**

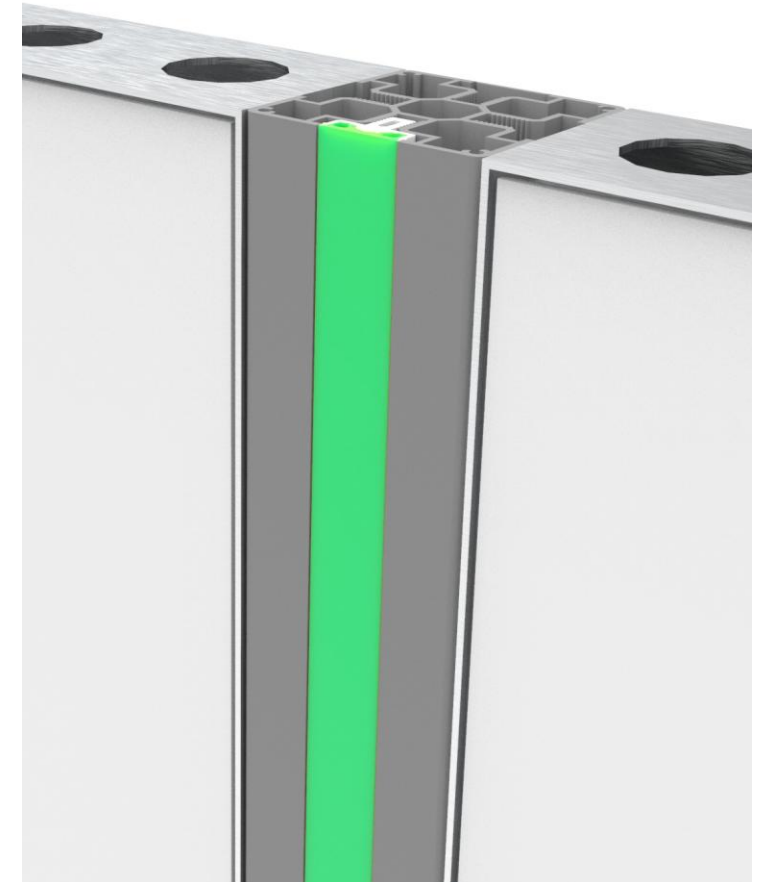
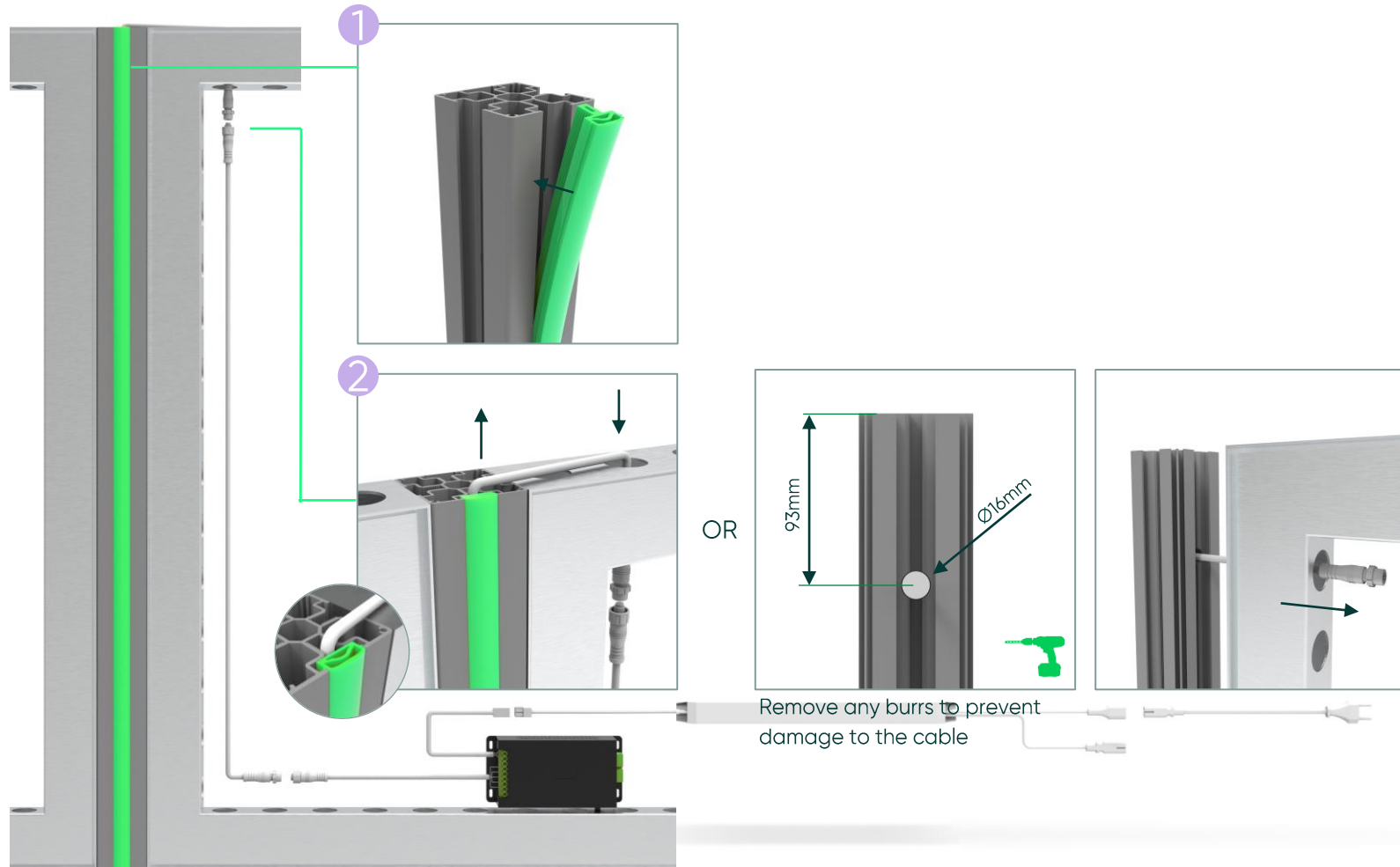
- ◆ LIGHTLINE SPARE PART SET: [SILICONE GLUE + END CAPS]



# How to mount the profile LightLine



## INTO A CORNER PROFILE

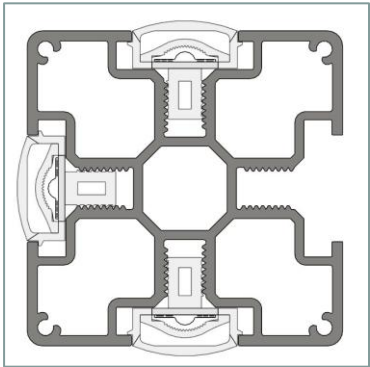


# How to mount the profile LightLine

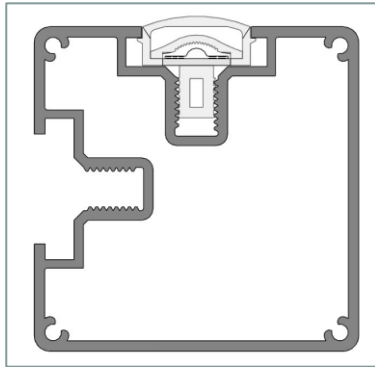


## INTO DIFFERENT BEMATRIX PROFILES

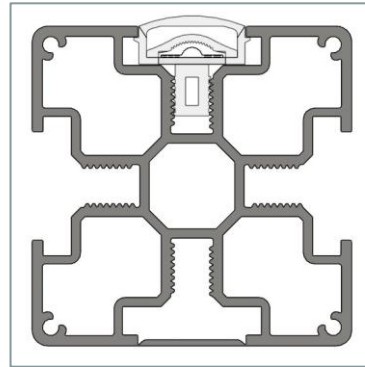
◆ 612 ++++ S00



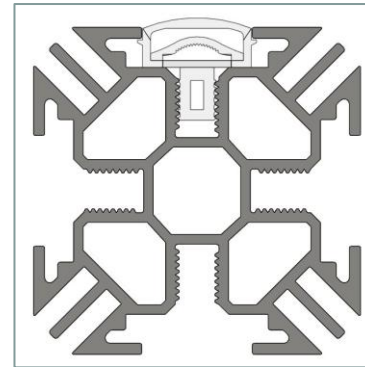
◆ 612 ++++ S02



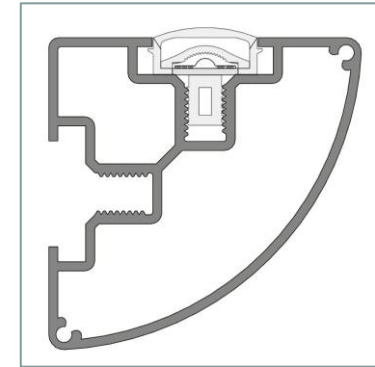
◆ 612 ++++ S03



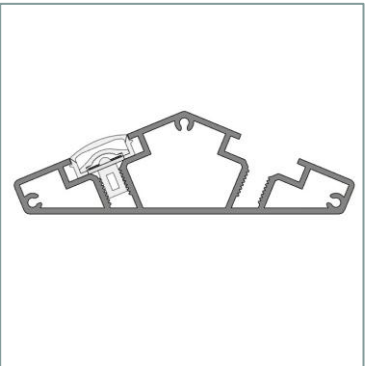
◆ 614 ++++ S04



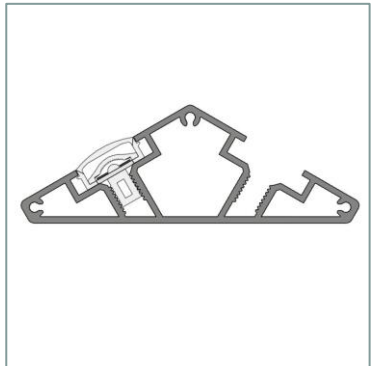
◆ 616 ++++ S02



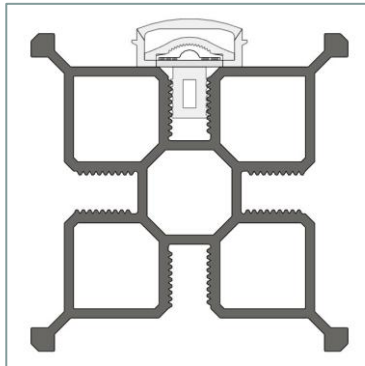
◆ 630 ++++ S02



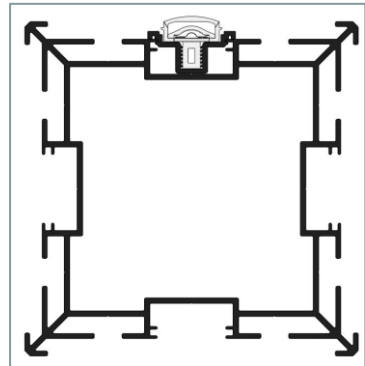
◆ 631 ++++ S02



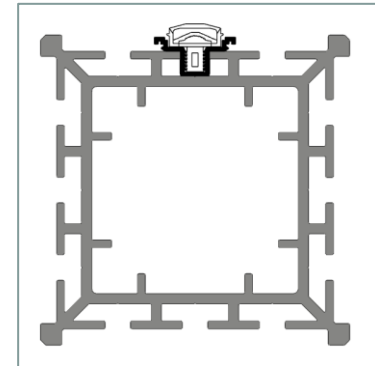
◆ 633 ++++ S04



◆ 980 ++++ DX4



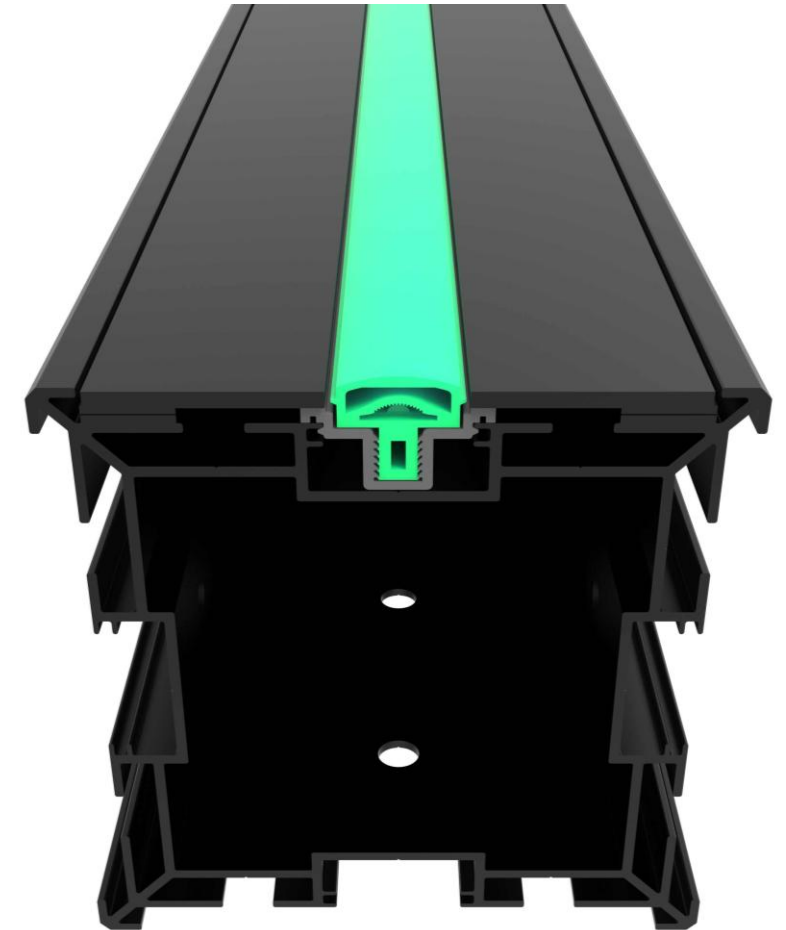
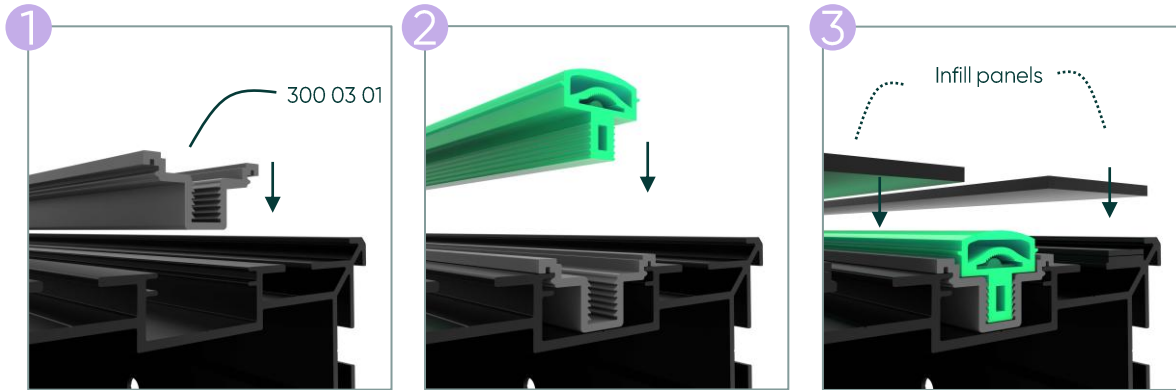
◆ 830 ++++ D00



# How to mount the profile LightLine



INTO A BECONSTRUCT PROFILE

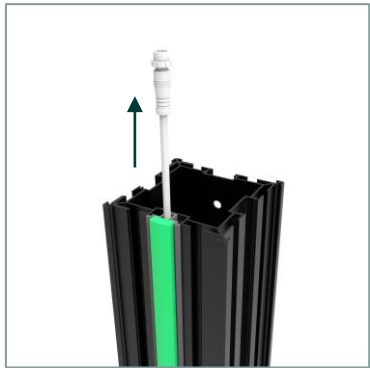


# How to mount the profile LightLine



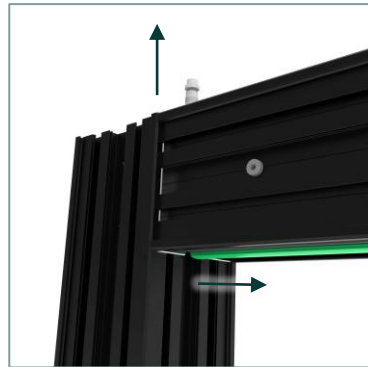
## INTO A BECONSTRUCT PROFILE - CABLE MANAGEMENT

### VERTICAL POLE

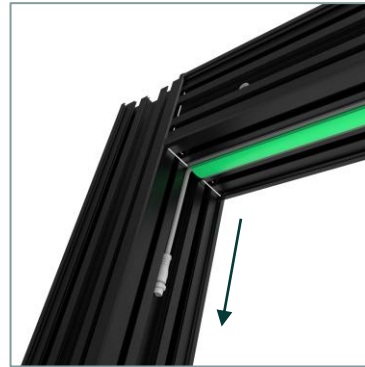


### HORIZONTAL POLE A

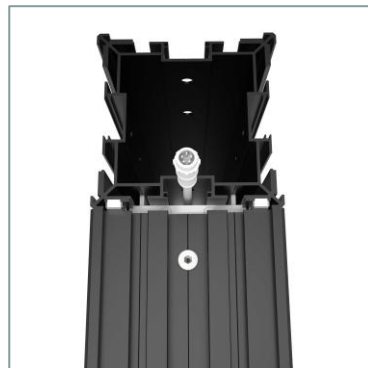
LightLine on top/bottom



OR



Loosen the connection between both poles until the cable connector can get through the slot of the vertical pole

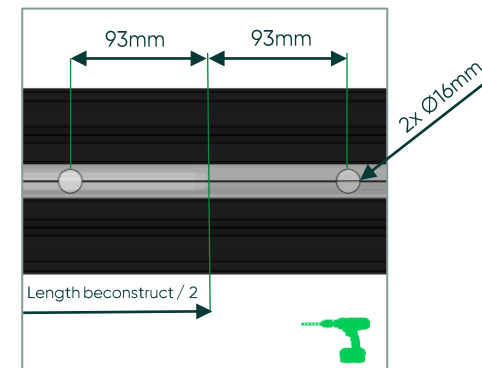


### HORIZONTAL POLE B

LightLine on sides



Use 2x lightlines and position the cable from the middle of the pole. Drill  $\text{\O}16$  holes

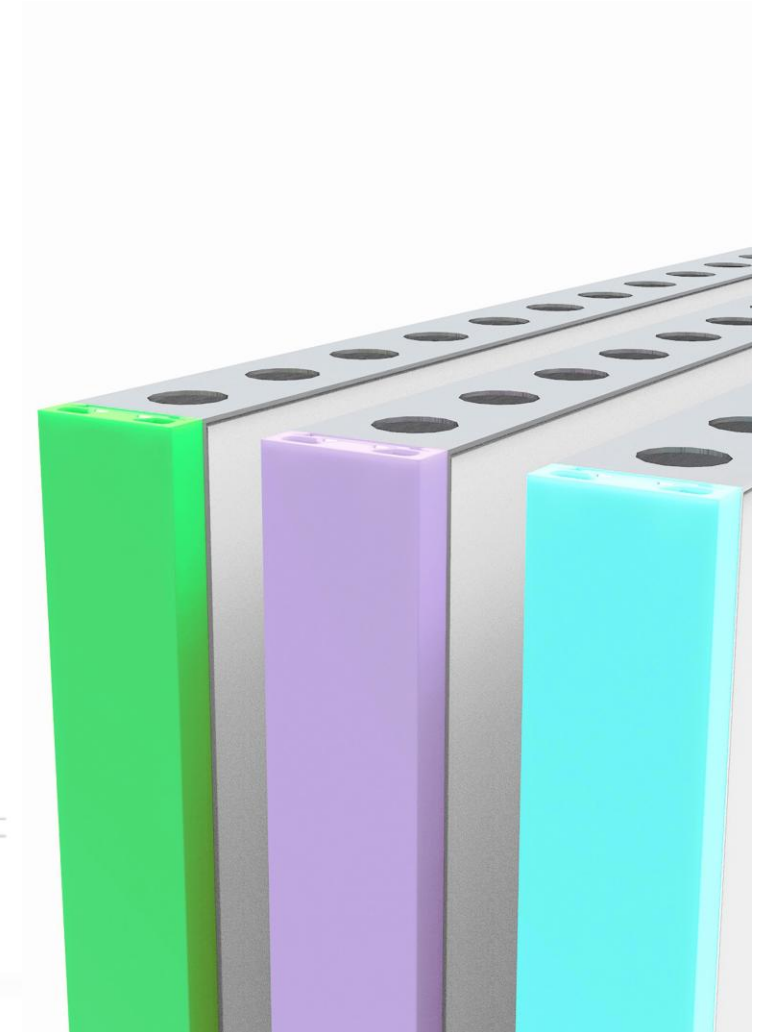
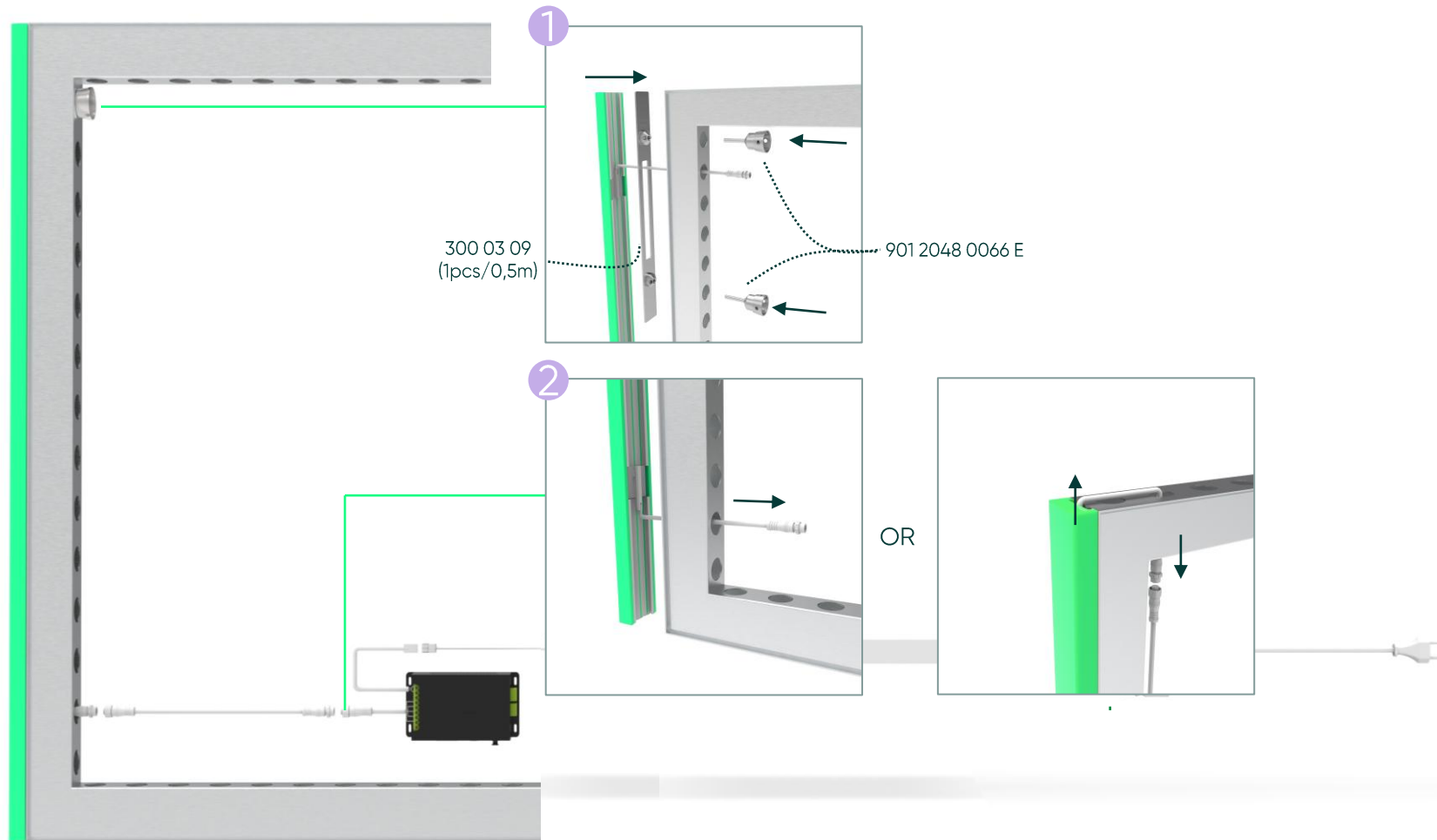


Remove any burrs to prevent damage to the cable

# How to mount the cover LightLine



INTO A B62 FRAME



# End wall solutions



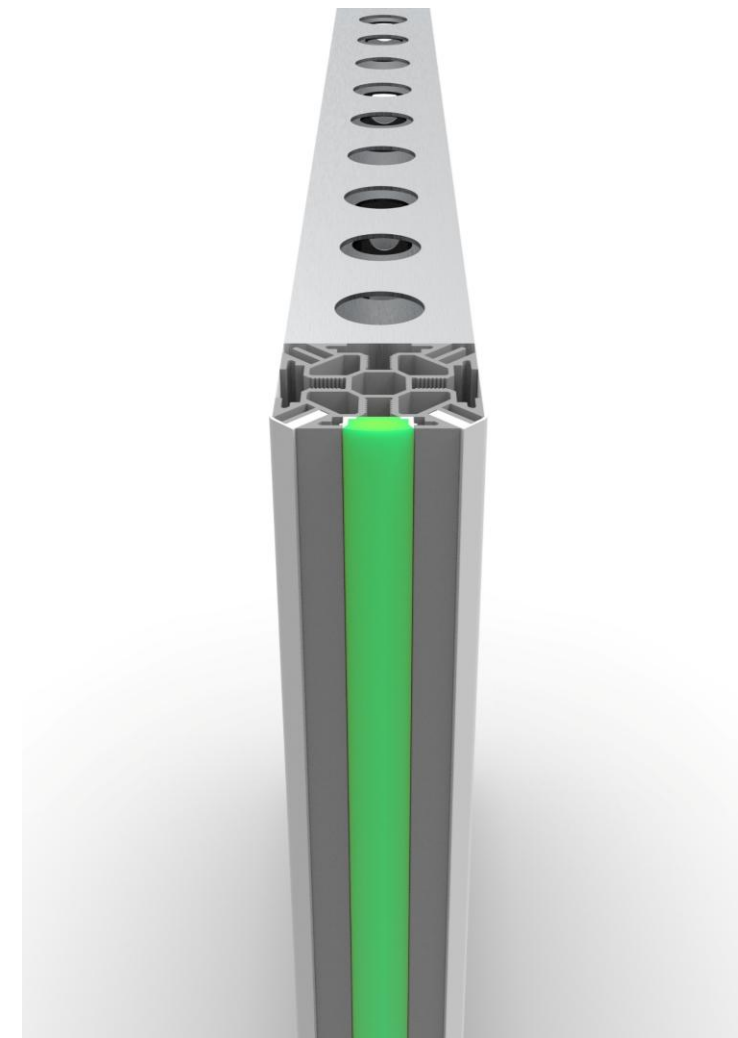
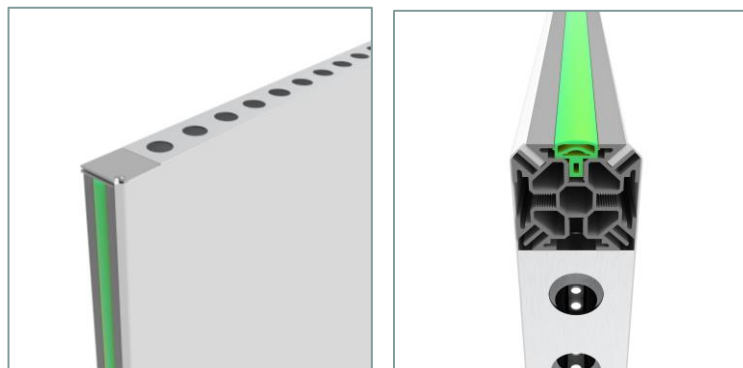
## OPTION 1

◆ COVER LIGHTLINE



## OPTION 2

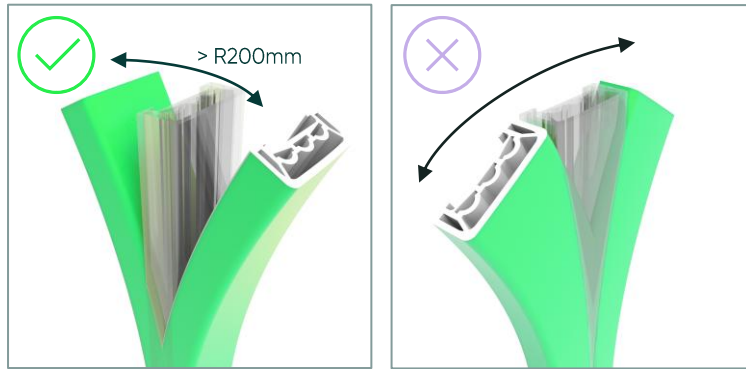
◆ PROFILE LIGHTLINE IN TEXTILE SQUARE



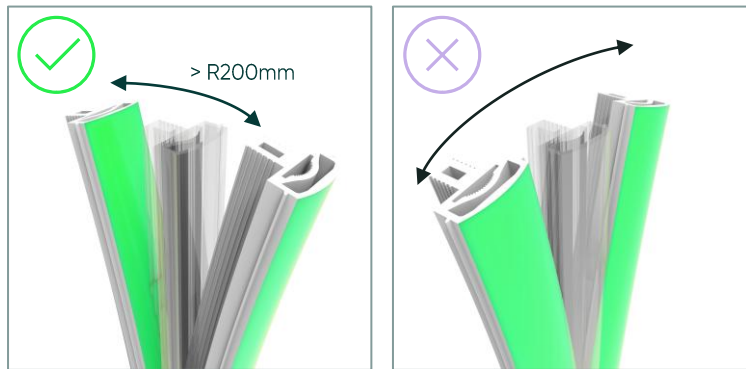
# Bending direction



## COVER LIGHTLINE



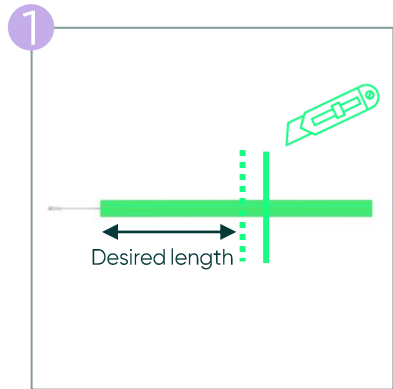
## PROFILE LIGHTLINE



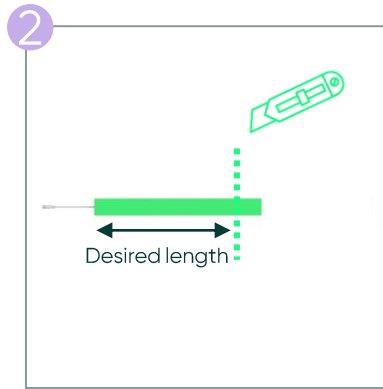
# How to make custom lengths



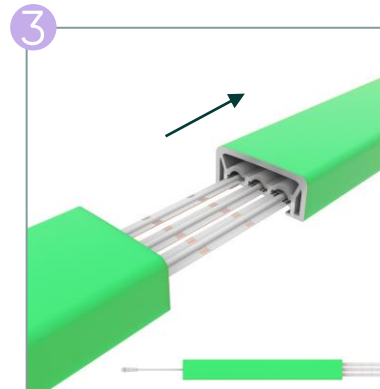
SAME STEPS CAN BE DONE FOR BOTH LIGHTLINES



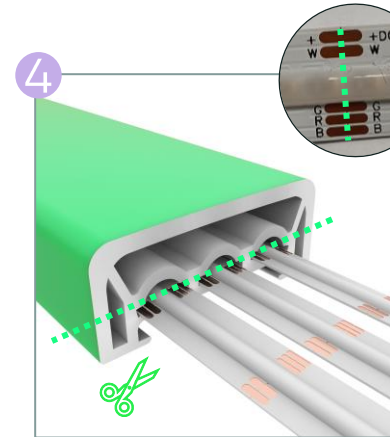
1 Cut the LightLine a bit longer than the desired length (both silicone and ledstrip)



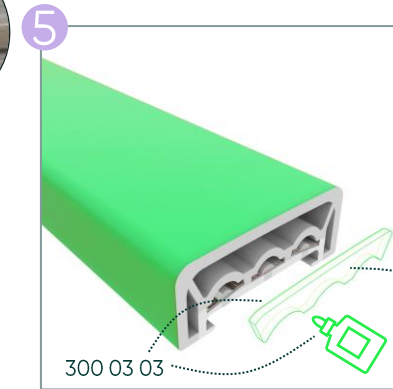
2 Carefully cut the silicone profile, NOT the ledstrips



3 Remove the remaining silicone



4 Cut the ledstrips where a line is (in the middle of the soldering pads)



5 Glue the ends to make the LightLine waterproof

Use this transparent end cover to close off the big chamber of the cover LightLine

# Electrical specifications



## COVER LIGHTLINE

|                          |              |
|--------------------------|--------------|
| Colour                   | RGBW         |
| Colour temperature white | 6500K        |
| LED technology           | COB          |
| Voltage                  | DC24V        |
| Cutttable length         | Per 31mm     |
| Number of LED strips     | 3 LED strips |
| Power consumption        | 60W/m        |
| Luminous flux            | 1800 lm      |

## PROFILE LIGHTLINE

|                          |             |
|--------------------------|-------------|
| Colour                   | RGBW        |
| Colour temperature white | 6500K       |
| LED technology           | COB         |
| Voltage                  | DC24V       |
| Cutttable length         | Per 31mm    |
| Number of LED strips     | 1 LED strip |
| Power consumption        | 20W/m       |
| Luminous flux            | 700 lm      |

# How to use the controller

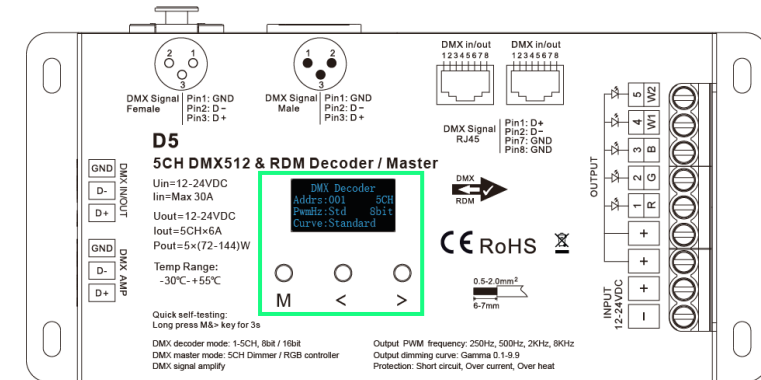


## DIFFERENT MODES

- ◆ RGB CONTROLLER MODE
- ◆ DIMMER MODE
- ◆ DMX CONTROLLER MODE

## INTERFACE

|  |  |
|--|--|
| Switching between modes                                | Short press "M"                                |
| Activate parameter settings                            | Pressing "<" OR Pressing ">" OR Long press "M" |
| Quit parameter settings and go back to switching modes | Long press "M" OR wait 30s                     |
| Fast self-testing                                      | Long press "M" + ">"                           |
| Restoring factory default parameters                   | Long press "<" + ">"                           |



# How to use the controller



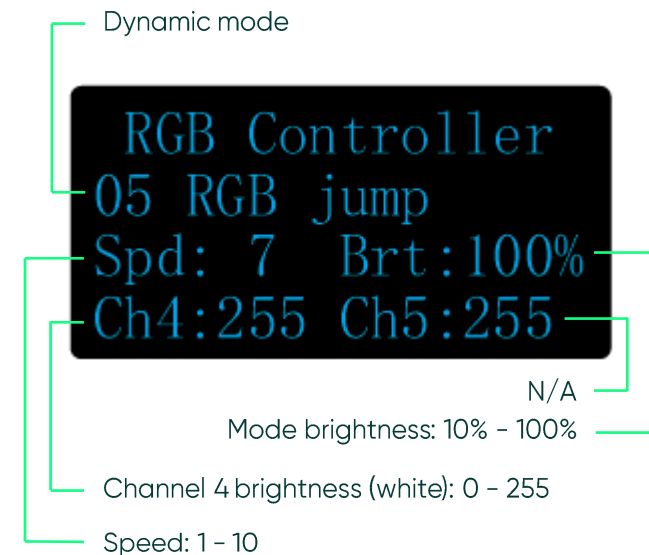
## RGB CONTROLLER MODE

◆ 25 DIFFERENT DYNAMIC MODES

| NR | MODE                  |
|----|-----------------------|
| 01 | Static red + strobe   |
| 02 | Static green + strobe |
| 03 | Static blue + strobe  |
| 04 | Static white + strobe |
| 05 | R/B/G jump            |
| 06 | 7 colour jump         |
| 07 | R/G/B strobe          |
| 08 | 7 color strobe        |

| NR | MODE              |
|----|-------------------|
| 09 | R/G/B gradual     |
| 10 | Color gradual     |
| 11 | R/G/B fade        |
| 12 | Red fade          |
| 13 | Green fade        |
| 14 | Blue fade         |
| 15 | White fade        |
| 16 | Red/white gradual |

| NR | MODE                 |
|----|----------------------|
| 17 | Green/white gradual  |
| 18 | Blue/white gradual   |
| 19 | Red/yellow gradual   |
| 20 | Red/purple gradual   |
| 21 | Green/yellow gradual |
| 22 | Green/cyan gradual   |
| 23 | Blue/purple gradual  |
| 24 | Blue/cyan gradual    |
| 25 | All loop play        |

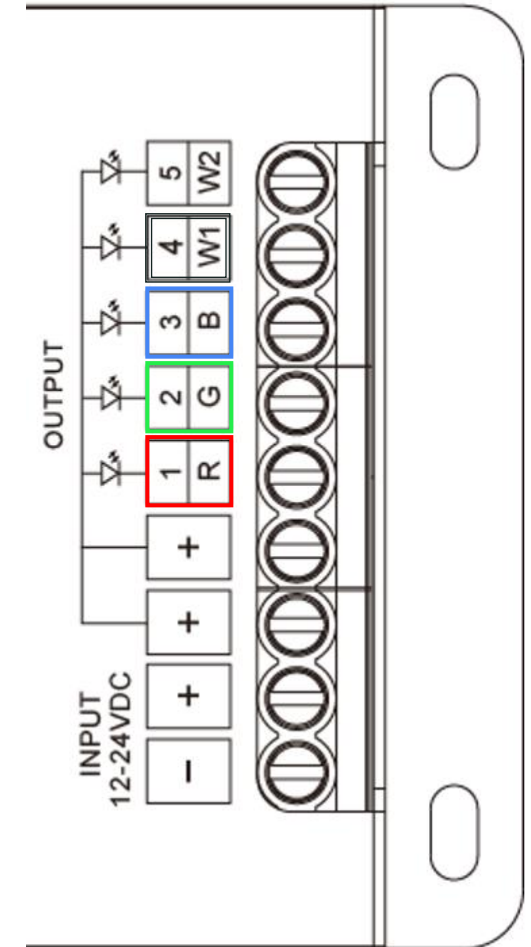
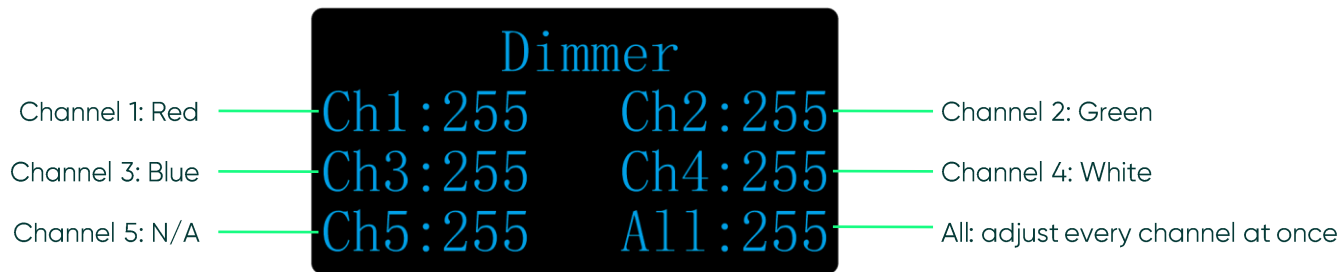


# How to use the controller



## DIMMER MODE

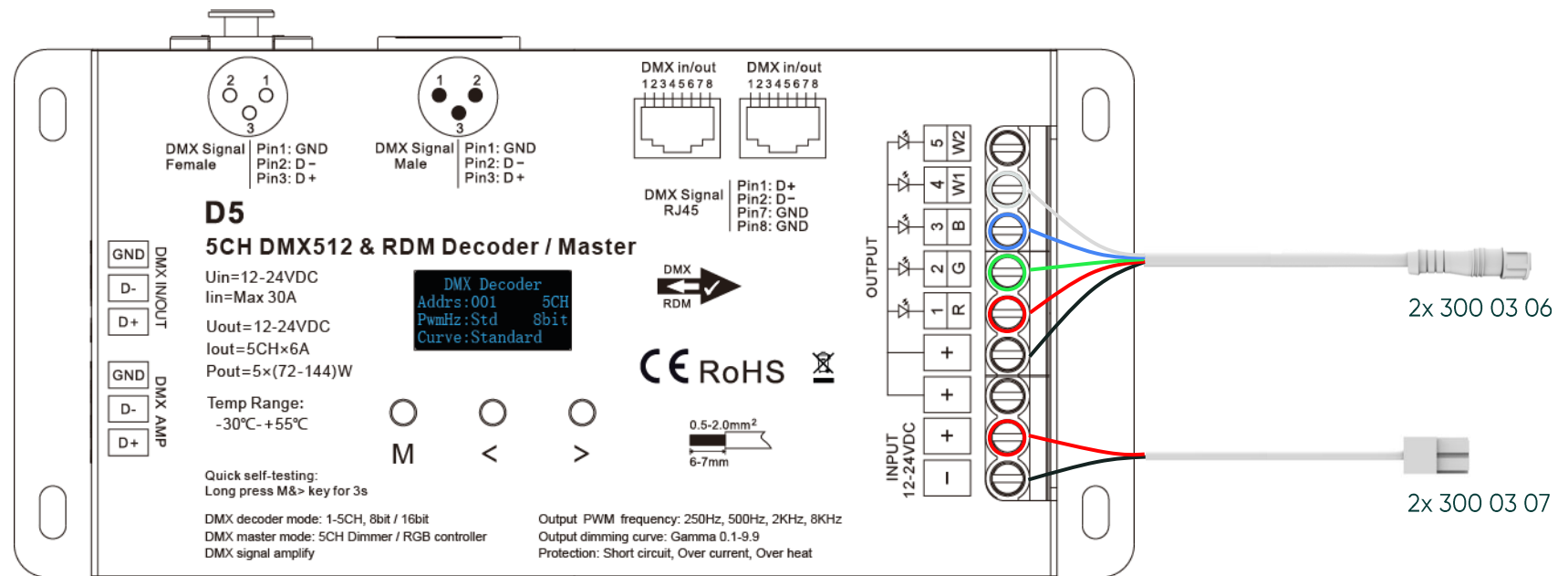
◆ With this mode, every channel can be individually or all together be adjusted (0 – 255)



# Electrical circuit



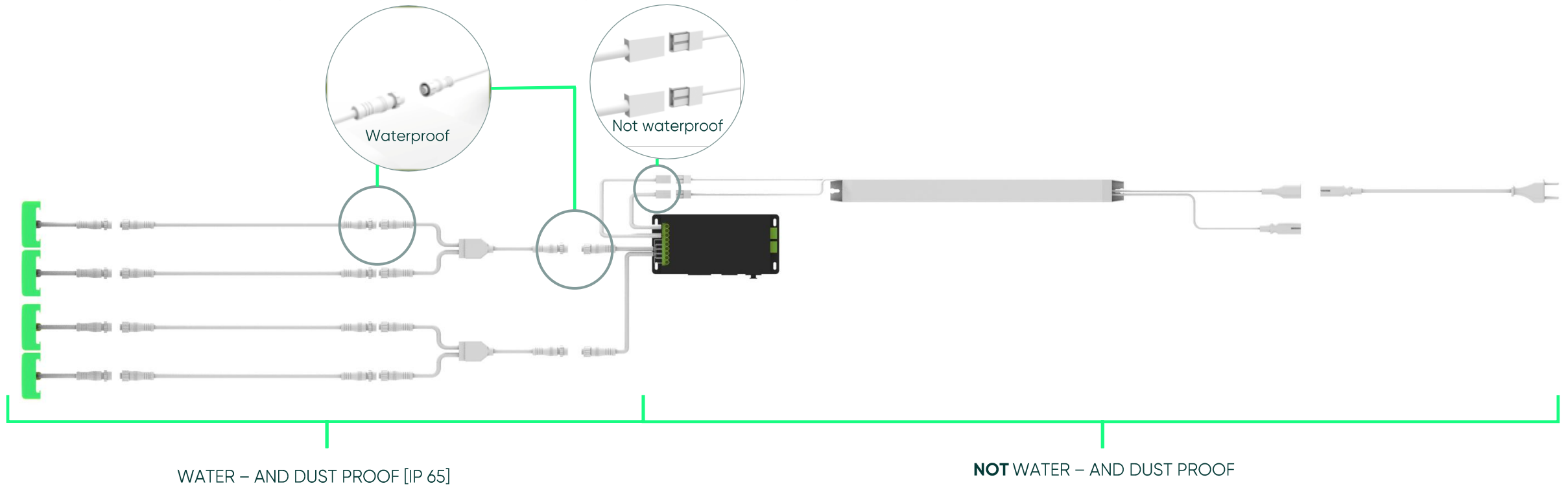
## HOW TO CONNECT CABLES TO THE CONTROLLER



# Electrical circuit

## IP RATING

- ◆ The circuit from LightLines to controller is water – and dust proof and can be used outdoor
- ◆ Controller and power supply are not waterproof: needs to be protected from humid conditions



# Electrical circuit – EU/UK



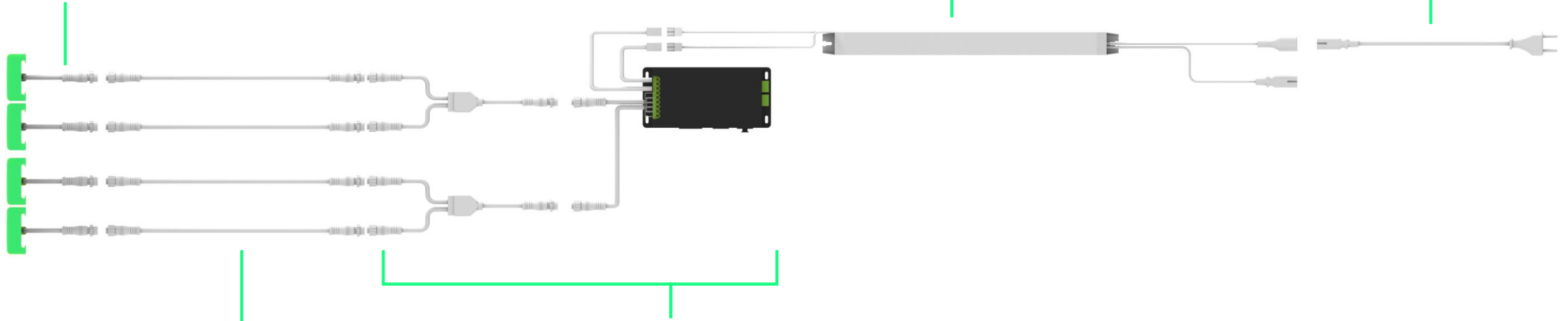
## EU/UK VERSION

- ◆ 300 01 ++++ [PROFILE LIGHTLINE]: Maximum 12 meter/39 feet in total per power supply (250W)
- ◆ 300 02 ++++ [COVER LIGHTLINE]: Maximum 4 meter/13 feet in total per power supply (250W)

**300 01 ++++ PROFILE LIGHTLINE [++++MM]**  
or  
**300 02 ++++ COVER LIGHTLINE [++++MM]**

**270 12 25 124D POWERLED POWER SUPPLY 250W [EU + UK]**

**250 11 06 124D POWER CABLE [3M] EU**  
or  
**250 11 07 124D POWER CABLE [3M] UK**



**300 03 05 LIGHTLINE ADD-ON: EXTENSION CABLE [3000MM]**

**300 03 04 SET LIGHTLINE ADD-ON: CONTROLLER D5 + CABLES**

\*FOR THE BEST OPTICAL RESULT, USE THE SAME CABLE LENGTH FOR EACH LIGHTLINE

# Electrical circuit - US



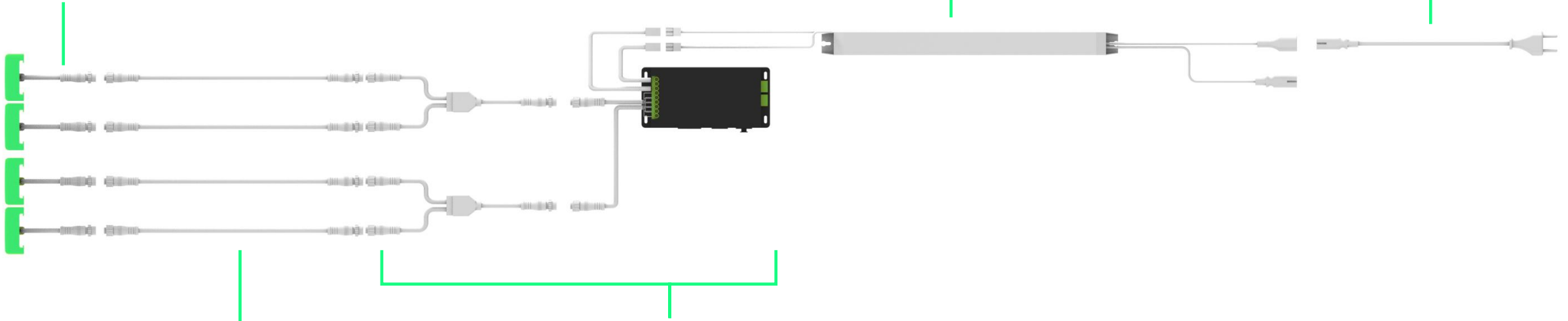
## US VERSION

- ◆ 300 01 ++++ [PROFILE LIGHTLINE]: Maximum 9 meter/30 feet in total per power supply (200W)
- ◆ 300 02 ++++ [COVER LIGHTLINE]: Maximum 3 meter/10 feet in total per power supply (200W)

**300 01 ++++ PROFILE LIGHTLINE [++++MM]**  
or  
**300 02 ++++ COVER LIGHTLINE [++++MM]**

**270 12 20 124D POWERLED POWER SUPPLY 200W [USA]**

**250 11 08 124D POWER CABLE [3M] USA**



**300 03 05 LIGHTLINE ADD-ON: EXTENSION CABLE [3000MM]**  
\*FOR THE BEST OPTICAL RESULT, USE THE SAME CABLE LENGTH FOR EACH LIGHTLINE

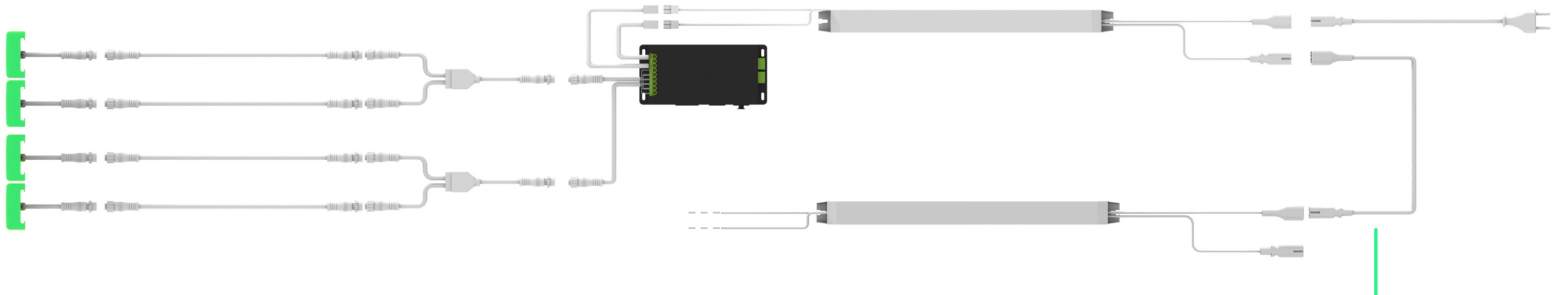
**300 03 04 SET LIGHTLINE ADD-ON: CONTROLLER D5 + CABLES**

# Electrical circuit



## DAISY CHAIN

- ◆ EU/UK VERSION: Daisychain max 2x power supplies to each other
- ◆ USA VERSION: Daisychain max 4x power supplies to each other



**270 12 15** 124D POWERLED DAISYCHAIN CONNECTION CABLE [3M] [EU + UK]

or

**270 12 10** 124D POWERLED DAISYCHAIN CONNECTION CABLE [3M] [USA]

\* CABLE IS OPTIONAL: POWER SUPPLY CAN ALSO BE CONNECTED DIRECTLY TO EACH OTHER

# Target audience



This user **manual** aims to provide all users of the product of all relevant **information** that contributes to guaranteeing a **safe** way of working and to **maintain** the **product's condition**.

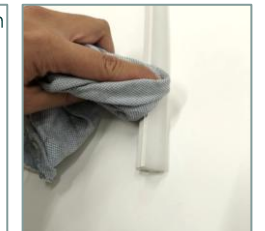
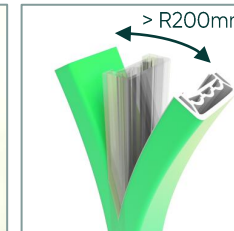
This user manual applies in **all circumstances** where any kind of **handling** of or with the **product** is **involved**, including: transport, assembly, installation, storing, using the product, maintenance, disassembly, decommissioning and disposal of the product.

The **target audience** can be described as follows:

- ◆ Transporters
- ◆ Installers, assemblers
- ◆ Operators
- ◆ Maintenance technicians
- ◆ People charged with the final decommissioning and disposal of the product

## It is recommended to:

- ◆ Store in the original packaging or similar to avoid excessive bending
- ◆ Bend only in the suggested direction (pg 15) and do not bend below radius of 200mm during normal manual handling
- ◆ Clean the product by lightly dampen a cloth with water. Do not use abrasive or chemical products.



The above mentioned **persons** with their specific tasks have to have sufficiently demonstrable **knowledge** and/or **experience**. For safety reasons, the product must only be used by or under **supervision** of an **authorized person**. The operator has to be **minimum 18 years** of age.



Thank you for choosing bematrix. For more information surf to the library on our website. Create your account and get access to all our technical brochures, manuals and videos.

Or contact us: [info@bematrix.com](mailto:info@bematrix.com)